

SERIES GF1-3/GF1-4

One-stage precision pressure regulator for piping

FEATURES

- The GF1 series is a brass one-stage pressure regulator designed for the physical and chemical science markets.
- Low inlet pressure, rear panel mount as standard and Rc1/4 to the body connector is applied to meet a variety of fittings.



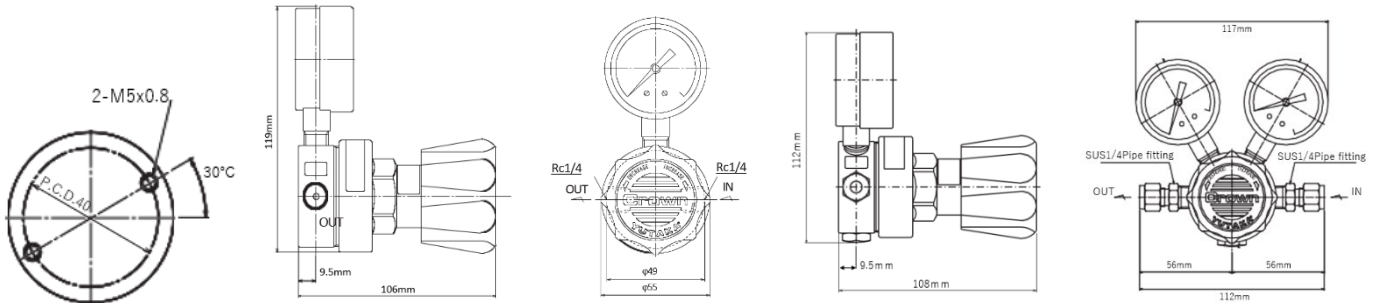
APPLICATION	Physics & chemistry
LOCATION	For piping equipment
STANDARD FLOWRATE	30L/m

[OPTION]

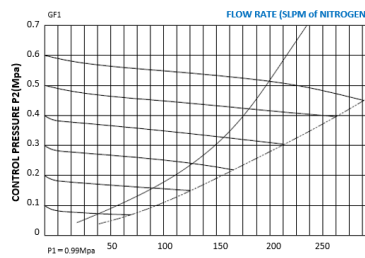
- Front panel mounting
- Tube and Pipe connector
- The model with a compound meter has a SUS diaphragm specification.

[DRAWING NOTES]

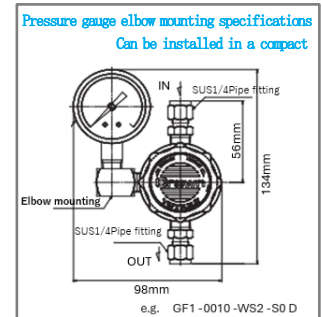
- Dimensions are subject to change without notice for improvement.



Body	C3604BD
Cover	C3771BE
Seat retainer	C3604BD
Diaphragm	NBR + PTFE
Poppet seat	PTFE
Safety valve seat	FKM



*Standard Specification Reference Chart.



	GF1-00□□-WX-ZS0 Low pressure		GF1-00□□-WS2-ZS0 High pressure	
	GF1-00□□-WX-ZS0	GF1-00□□-WS2-ZS0	GF1-25□□-WX-Z	GF1-25□□-WS2-Z
Gas	N2 (Standard)	Ar,N2,Air,CO2,O2,H2,He etc.	Ar,N2,Air,O2,H2,He etc.	
High pressure gauge	---	---	25Mpa	
Low pressure gauge	0.6/1Mpa	0.1/0.3/0.6/1/1.6Mpa	0.6/1/1.6Mpa	
Inlet pressure (P1)	~0.99Mpa		~14.8Mpa	
Delivery pressure (P2)	0~0.4/0.6Mpa	0~0.06/0.2/0.4/0.6/0.9Mpa	0~0.4/0.6/0.99Mpa	
Inlet connector	Rc1/4	SUS1/4 pipe fitting	Rc1/4	SUS1/4 pipe fitting
Outlet connector	Rc1/4	SUS1/4 pipe fitting	Rc1/4	SUS1/4 pipe fitting
Net weight	0.7kg		0.8kg	

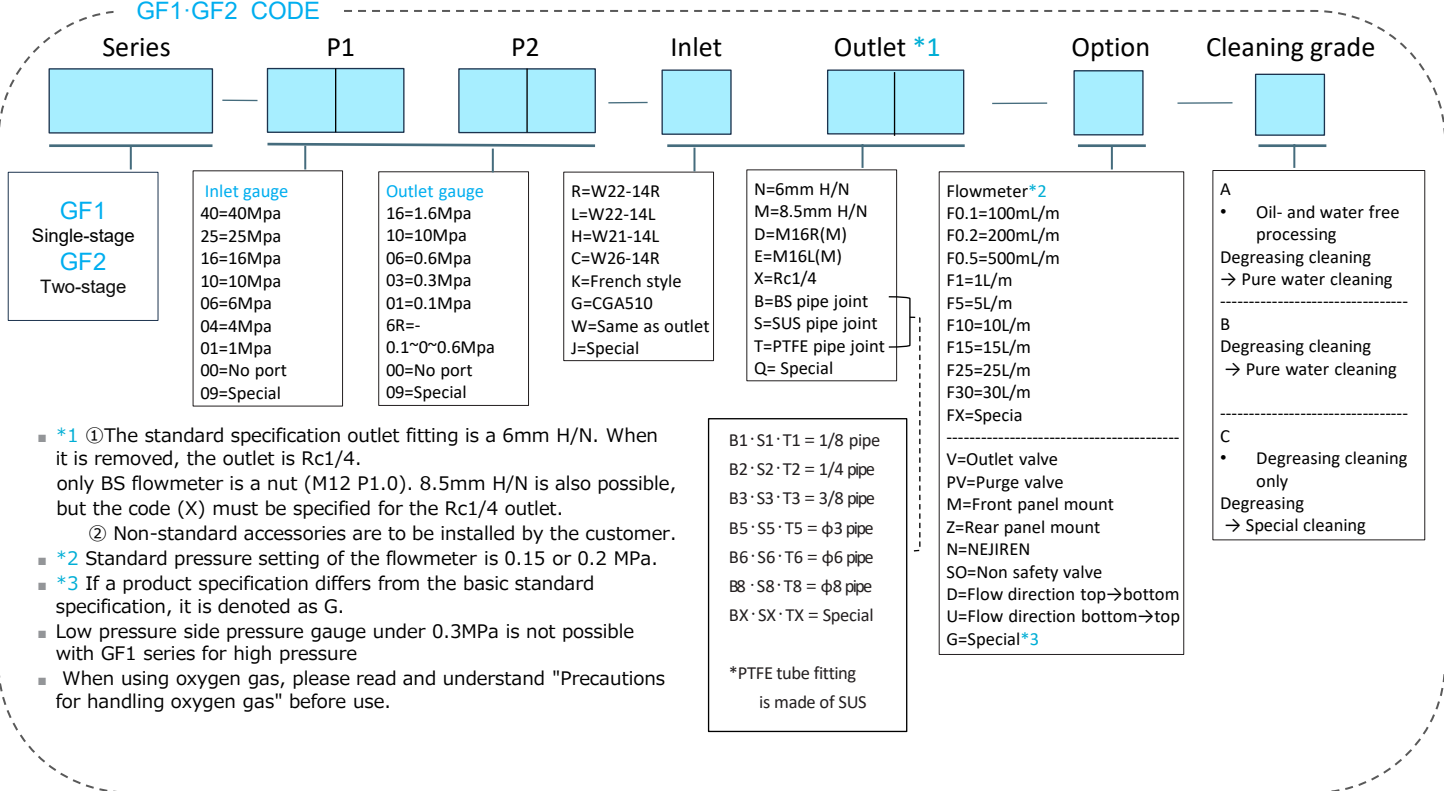
[NOTES]

- For part numbers other than those listed above, see page 57.
- No safety valve for low pressure

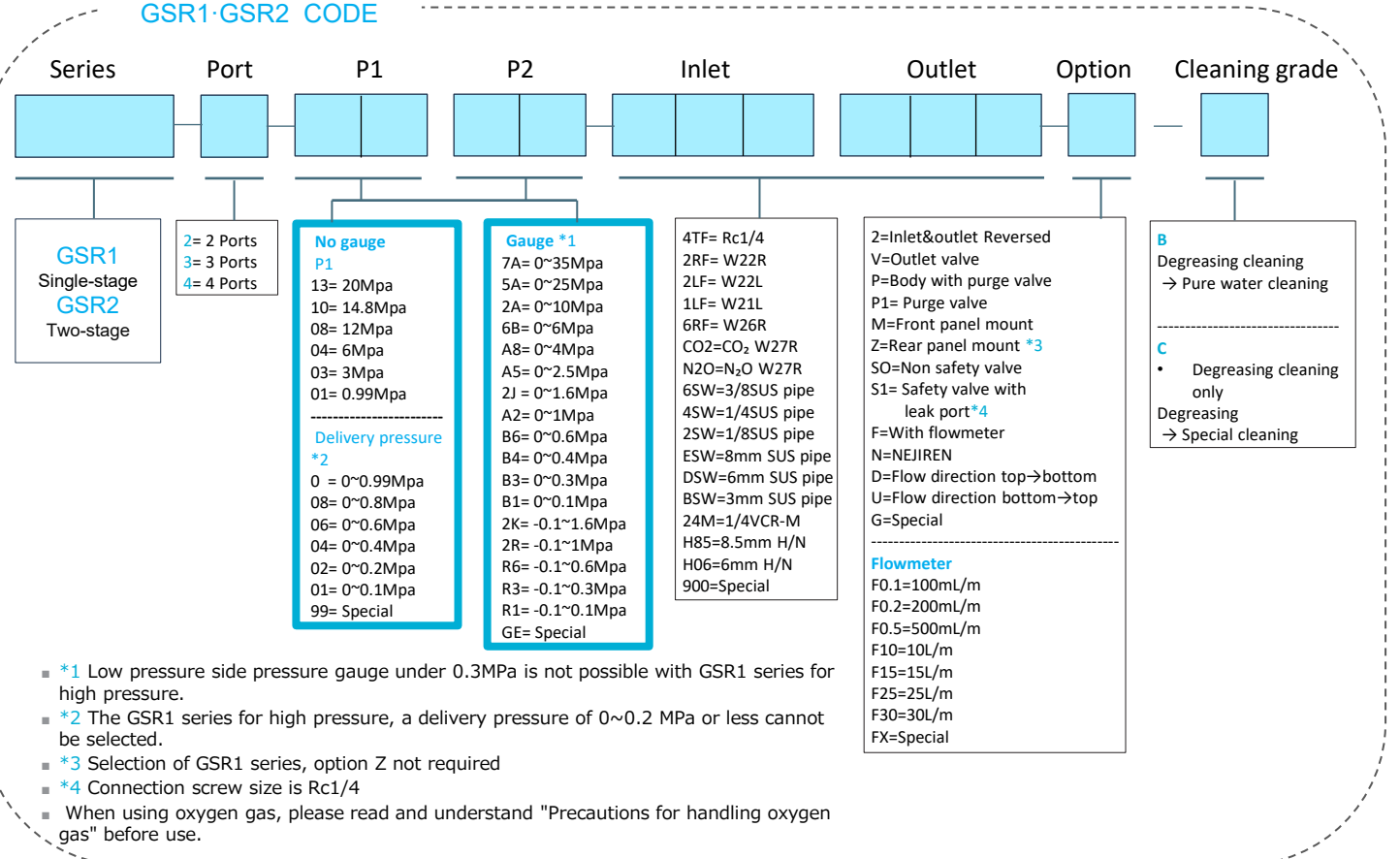
SERIES GF1 /GF2 /GSR1 /GSR2

Part Number Code

GF1·GF2 CODE



GSR1·GSR2 CODE



SELECTION

GENERAL INDUSTRIAL

PHYSICS & CHEMISTRY

MEDICAL

FLOW METER

EQUIPMENT

DATA