

SERIES GSR2-4-V/VP

Stainless steel outlet valve / Two-stage pressure regulator with purge valve

FEATURES

- The GSR2 series is series is a successor model of the former GSN2 series, improving the basic performance.
- Two types are available: with stop valve type(V) & with blow purge valve type(VP).
- For H₂ or He gas, the 12-hour helium-filled test are conducted to confirm a high level of safety.

APPLICATION	Physics & chemistry
LOCATION	Compressed gas cylinder
STANDARD FLOWRATE	50L/m

GSR2-4-V

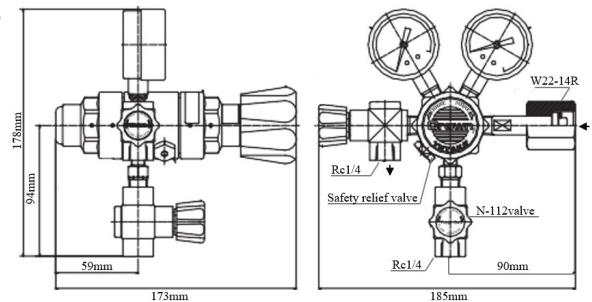
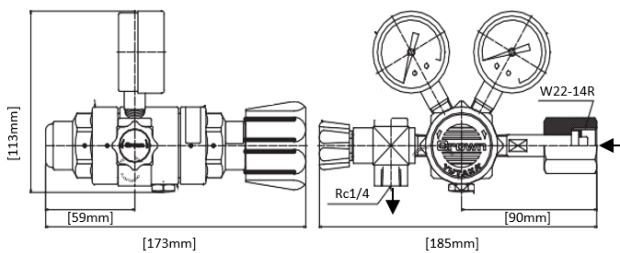


GSR2-4-V

GSR2-4-VP



GSR2-4-VP



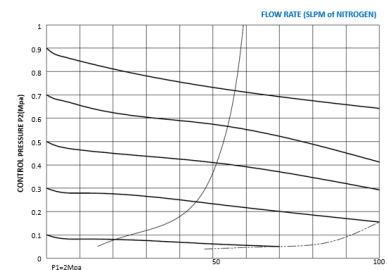
[OPTION]

- OUTLET: Fitting other than Rc1/4 must be ordered separately.
- For high-precision analysis, please order the cleaning grade separately.

[DRAWING NOTES]

- Dimensions are subject to change without notice for improvement.

Body	SUS 316
Cover	C3771BE
Seat retainer	SUS316
Diaphragm	SUS316L+PTFE
Poppet seat	PCTFE · PTFE
Safety valve seat	FKM



*Standard Specification Reference Chart.

	GSR2-4-5A□□-2RF4TF-V	GSR2-4-5A□□-□□□□□□-V	GSR2-4-5A□□-□□□□□□-VP
Gas	N ₂ (Standard)	Ar, N ₂ , Air, CO ₂ , H ₂ , He etc.	Ar, N ₂ , Air, CO ₂ , H ₂ , He etc.
High pressure gauge	25Mpa	25Mpa	25Mpa
Low pressure gauge	0.3/0.6/1Mpa	0.1/0.3/0.6/1/1.6Mpa	0.1/0.3/0.6/1/1.6Mpa
Inlet pressure (P1)	~14.8Mpa	~14.8Mpa	~14.8Mpa
Delivery pressure (P2)	0~0.2/0.4/0.6Mpa	0~0.06/0.2/0.4/0.6/0.9Mpa	0~0.06/0.2/0.4/0.6/0.9Mpa
Inlet connector	W22-14R	W22-14R etc.	W22-14R etc.
Outlet connector	Rc1/4	Rc1/4 etc.	Rc1/4 etc.
Option	--	--	Purge valve (Rc1/4)
Net weight		1.7kg	1.9kg

[NOTES]

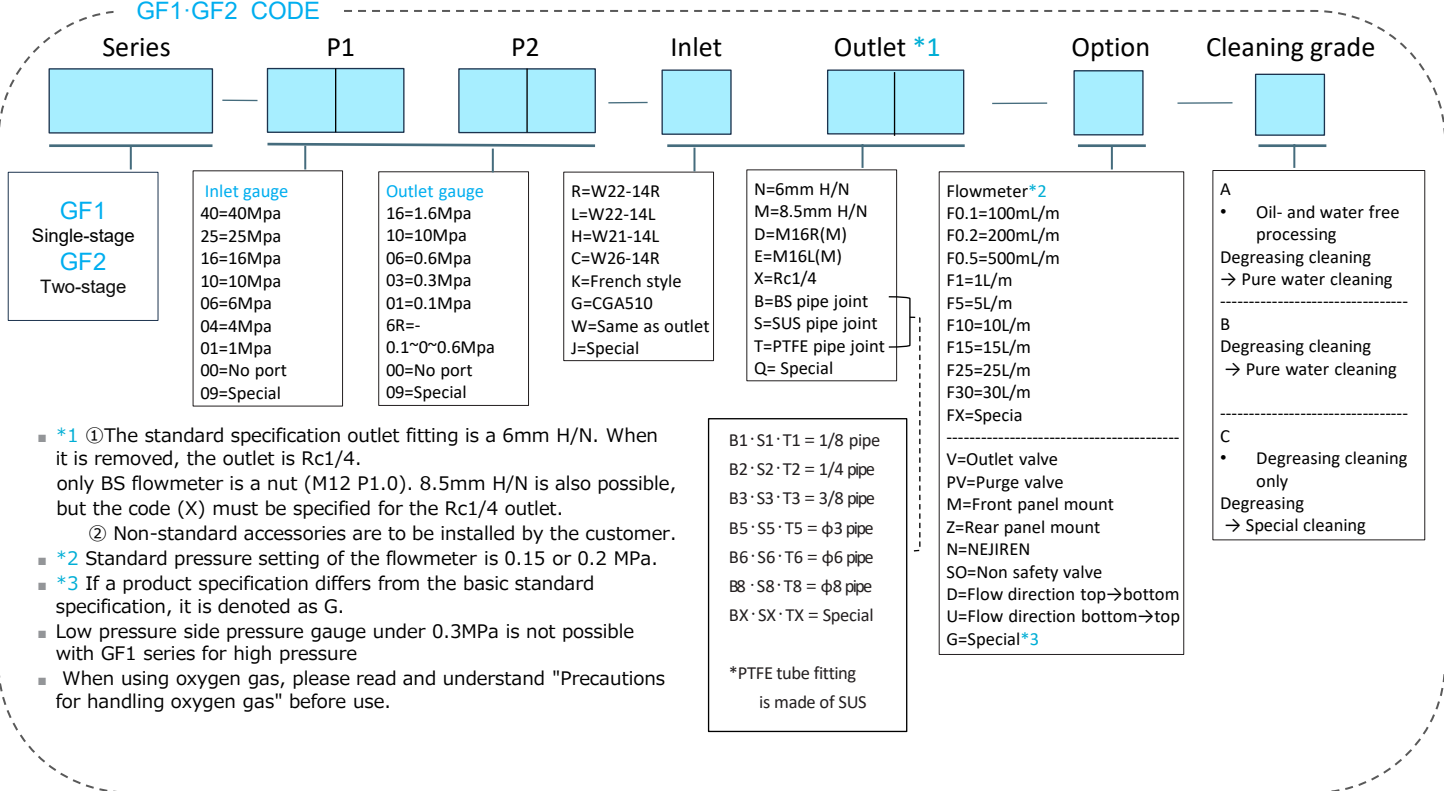
- For part numbers other than those listed above, see page 57.
- For CO₂ gas supply of 5 L/m or more, use FCR or NP series
- Inlet pressure up to 20 MPa is a special option.

SELECTION
GENERAL INDUSTRIAL
PHYSICS & CHEMISTRY
MEDICAL
FLOW METER
EQUIPMENT
DATA

SERIES GF1 /GF2 /GSR1 /GSR2

Part Number Code

GF1·GF2 CODE



GSR1·GSR2 CODE

